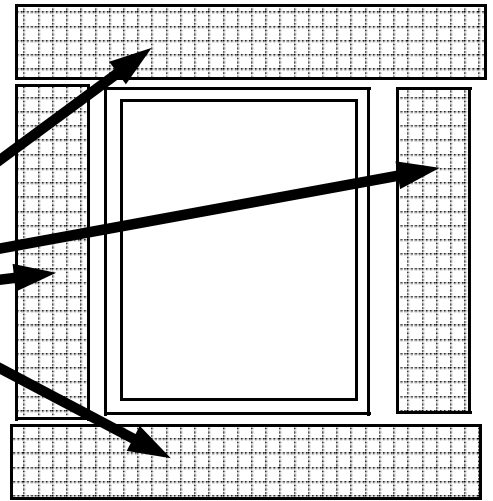


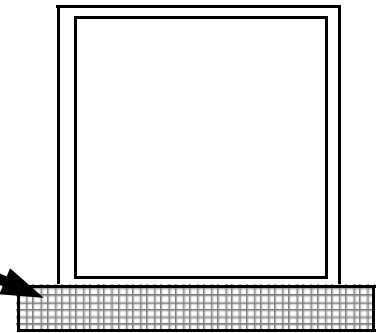
WINDOW INSTALLATION IN ICF WALLS

STEP 1: Spray, brush or roll ProtectoWrap PW6000 Primer or Polyguard Waterbase Gold Liquid Adhesive onto the wood of the window buck and the foam block under the area that will be covered by the flashing tape.

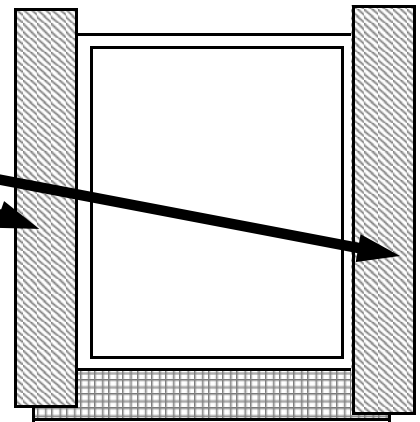
Let dry until tacky ... 10-20 minutes in dry weather and up to 2 hrs in damp but not rainy weather.



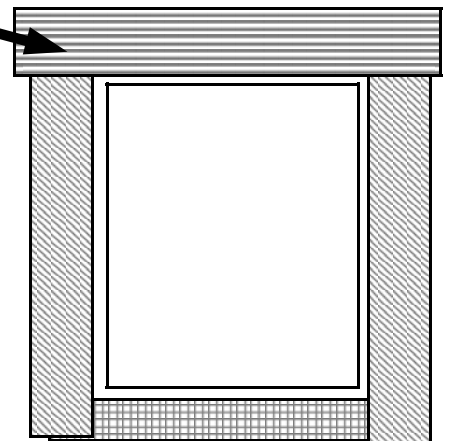
STEP 2: Apply strip of 9" BT20XL flashing horizontally across the bottom of the window buck.



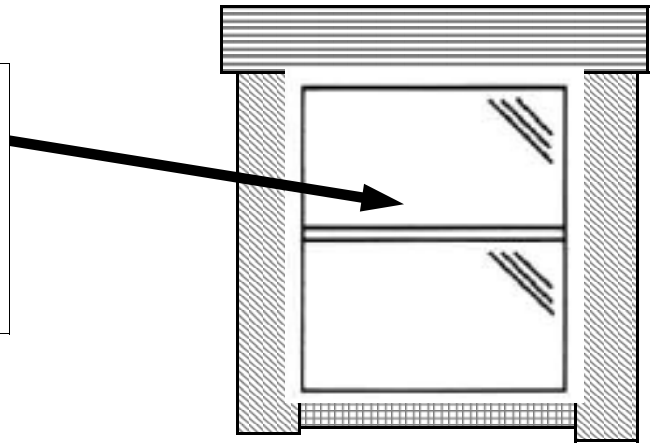
STEP 3: Apply strips of 9" BT20XL flashing vertically up each side of the window buck and overlap the bottom strip.



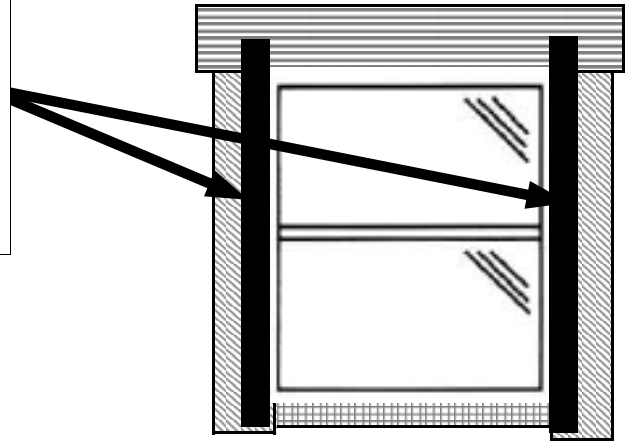
STEP 4: Apply a single strip of 9" BT20XL flashing horizontally over the top of the window buck and overlap the side strips.



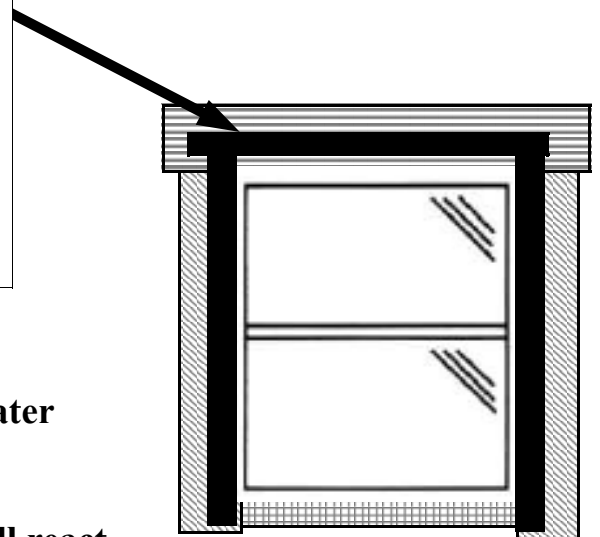
STEP 5: Insert window into the opening and mechanically fasten the window to the window buck *through* the tape flashing. (The tape will self seal around the fasteners).



STEP 6: Attach 4" strips of BT20XL flashing to each side of the window, over top of the window flange/nail fin and sealing down on top of the 9" strip of flashing.



STEP 7: Attach a 4" strip of BT20XL flashing across the top of the window, over top of the window flange/nail fin and sealing down on top of the 9" strip of flashing and overlapping the two side strips.



All laps should be shingle lapped to prevent water penetration.

Do not use any solvent based caulks as they will react with the BT20XL

Do not apply primer when it is raining or expected to rain. It is a water based solvent and will run off if rained on. If very damp it will not dry properly.